

The background of the entire page is a technical line drawing in blue on a dark blue background, showing various mechanical components like suspension parts, axles, and wheels. The drawing is detailed and covers the entire area.

TRX4[®]

LONG ARM LIFT KIT
ASSEMBLY INSTRUCTIONS

TRAXXAS

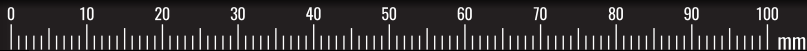
Introduction

Thank you for purchasing the Traxxas TRX-4 Long Arm Lift Kit for added ground clearance and capability. This kit includes everything you need to properly install a massive lift under your TRX-4 including long-arm links, longer aluminum shocks, taller springs, extended driveshafts, and a revised front servo mount to maintain proper steering geometry. If you have any questions or concerns about installing your kit, please contact our customer support team for fast, friendly answers and solutions.

KIT CONTENTS

- Front Servo Mount
- Battery Plate Spacer (2)
- 3x20 BCS (4)
- Differential T-Lock Cables (168.9mm Front and 207.9mm Rear)
- Long Aluminum GTS Shocks (4)
- Shock Springs (0.47 rate) (4)
- Silicone Shock Oil
- Front Upper Suspension Link (assembled with angled rod ends and hollow balls)
- Front Lower Suspension Link (assembled with standard rod ends and hollow balls) (2)
- Rear Upper Suspension Links (assembled with angled rod ends and hollow balls) (2)
- Rear Lower Suspension Links (assembled with standard rod ends and hollow balls) (2)
- Standard Extended Rod Ends (assembled with hollow balls) (4) (for 324mm wheelbase)
- Angled Extended Rod Ends (assembled with hollow balls) (4) (for 324mm wheelbase)
- Short Female Half Shaft
- Medium Female Half Shaft (2)
- Long Female Half Shaft
- X-Long Female Half Shaft (2)
- 10-T Pinion Gear
- 3x3mm Set Screw
- Spare E-clips (2)

Note: Unless otherwise noted, retain and reuse any hardware and parts from your model that are not included with this kit.



ITEMS YOU WILL NEED

- Hex driver
- Small flat blade screwdriver
- Needle nose pliers
- Safety glasses

- 4-way wrench



These items can be purchased from your hobby dealer. If you have any questions, call the Traxxas Technical Support Line toll-free at:

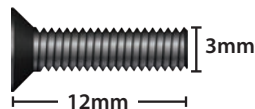
1-888-TRAXXAS (1-888-872-9927)*

Technical support is available 7 days a week from 8:30am to 9:00pm central time. Technical assistance is also available at Traxxas.com. You may also e-mail customer support with your question at support@Traxxas.com.

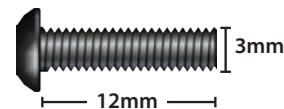
HARDWARE DESCRIPTIONS

The following chart is provided to help you identify the many different sizes and types of hardware that are used in the assembly of this lift kit. Note the difference between the length measurements of the roundhead and countersunk screws. A ruler is provided at the bottom of each page to measure the length of the screws in millimeters.

3x12mm Countersunk Screw



3x12mm Buttonhead Screw



CCS Countersunk Cap Screw



CS Cap Screw



FCS Flathead Cap Screw



GS Set (Grub) Screw

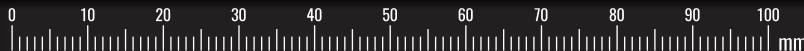


E E-Clip



BCS Buttonhead Cap Screw

*Toll-free support is available to U.S. residents only.



Suspension Link Guide

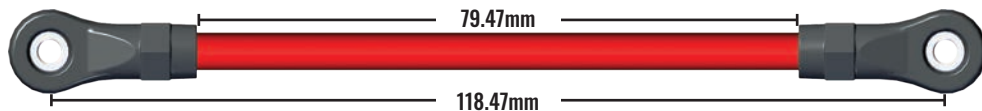
See the illustrations below for correct suspension link measurements for your model's wheelbase.

SHORT WHEELBASE 312mm (12.3") (Traxxas Models 82046-4, 82016-4)

Front Upper Link



Front Lower Suspension Link



Rear Lower Link

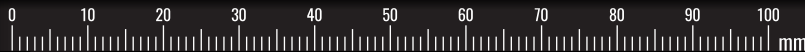


Rear Upper Link



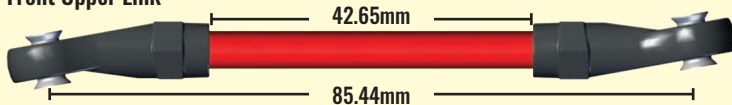
Note: Links are supplied assembled for the short (312mm) wheelbase.

(#8140R red version shown; suspension link color varies by kit part number)

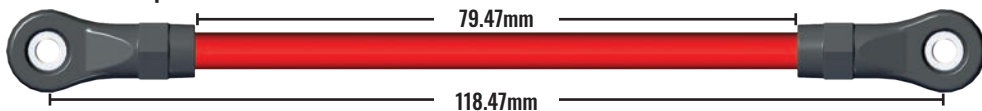


LONG WHEELBASE 324mm (12.7") (Traxxas Models 82056-4, 82066-4)

Front Upper Link



Front Lower Suspension Link



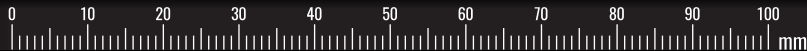
Rear Lower Link*



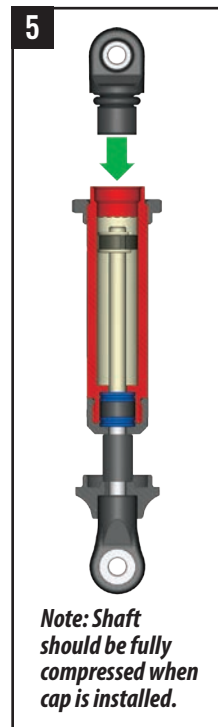
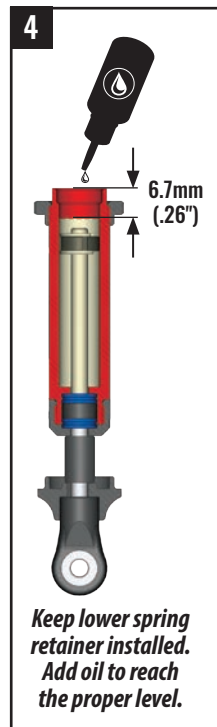
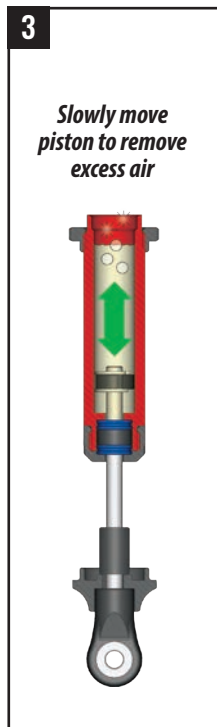
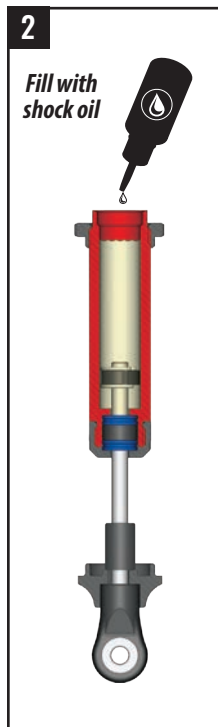
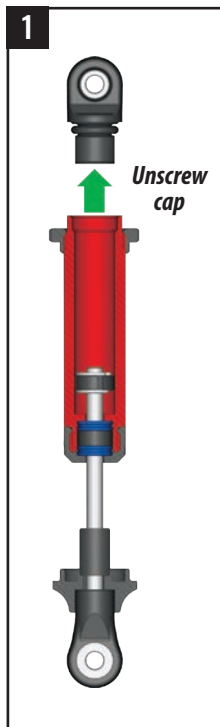
Rear Upper Link*



***Note: Rear links require installation of included extended rod ends for 324mm long wheelbase use.**

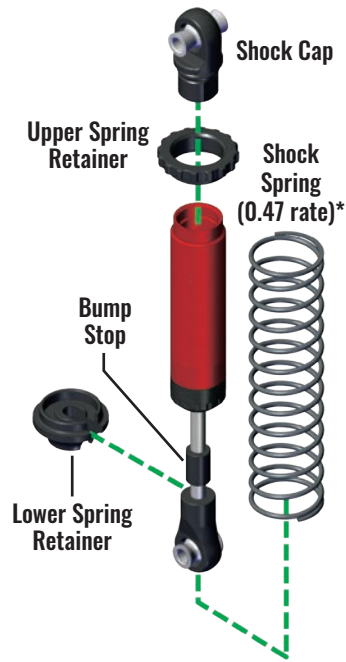


A. Assemble GTS Shocks



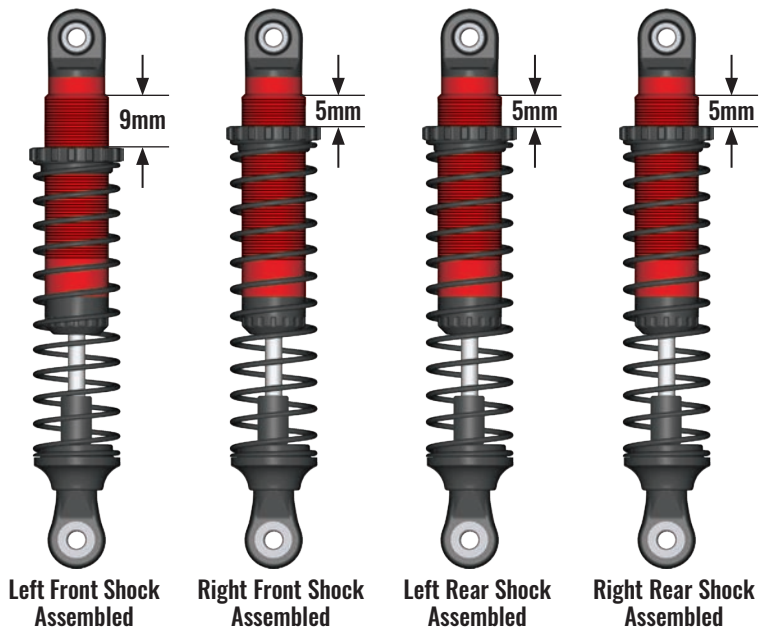
(#8140R red version shown)

GTS Shock Exploded View

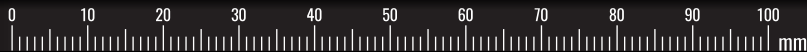


Exercise shock to make sure it compresses fully. If it does not, it is overfilled.

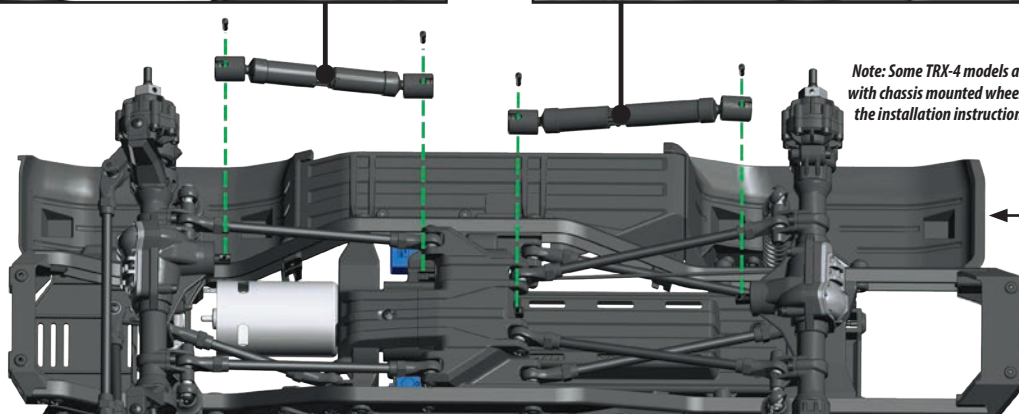
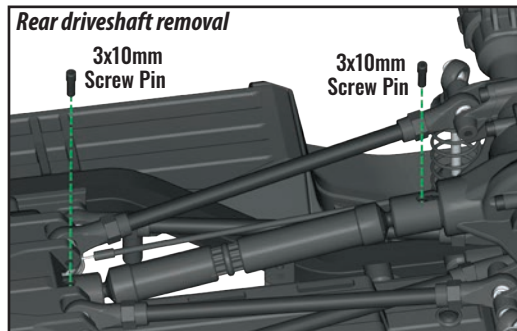
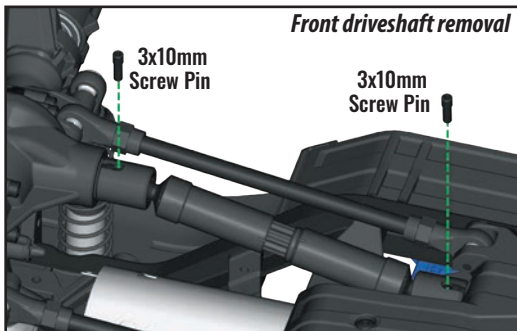
Suggested Spring Preload Settings (May require fine tuning when body is installed)



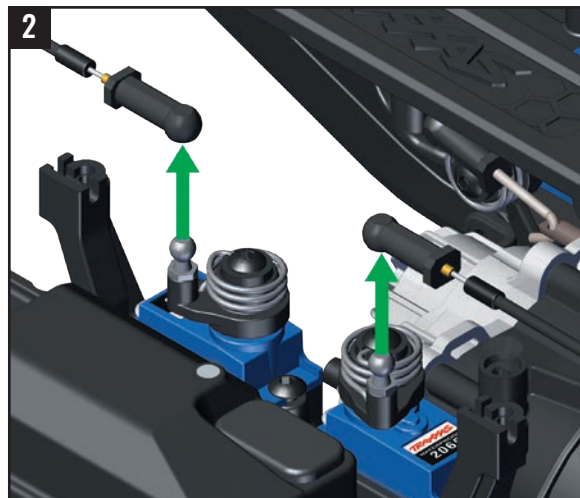
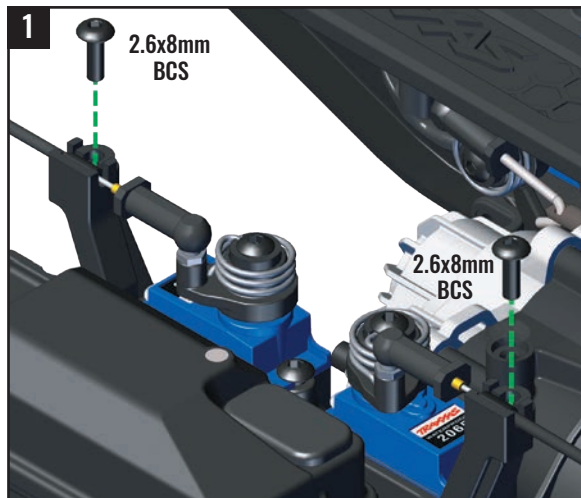
*Other shock springs available as optional accessories



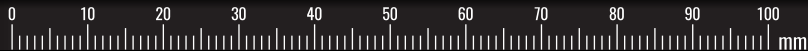
B. Remove the front and rear center driveshaft assembly



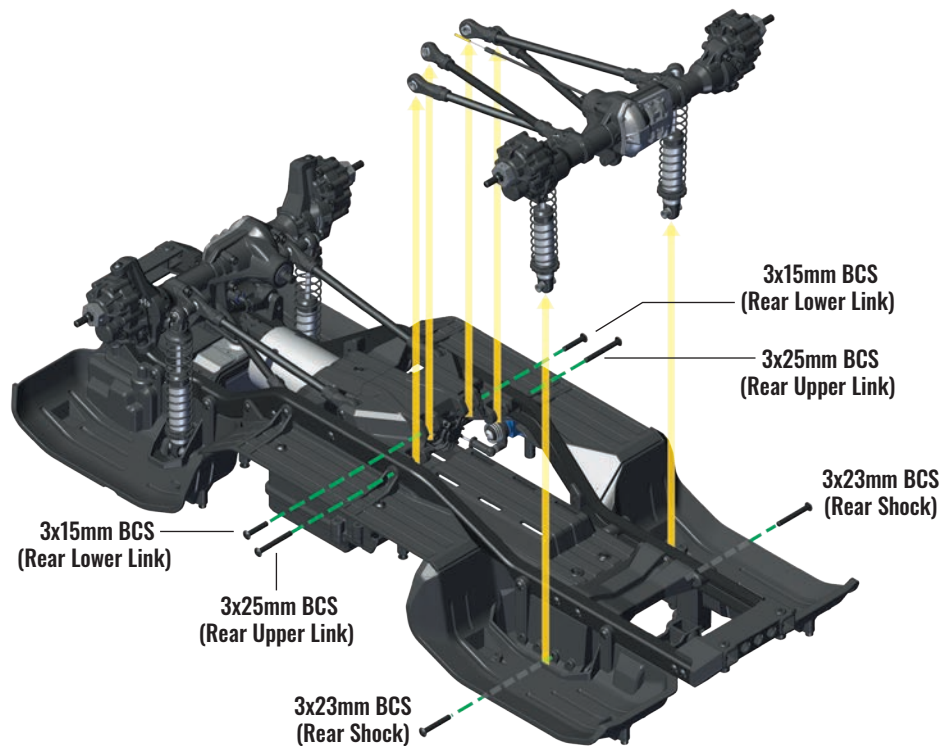
C. Remove the T-Lock cables from the shift servos



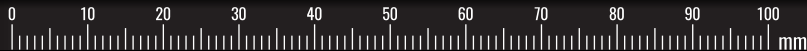
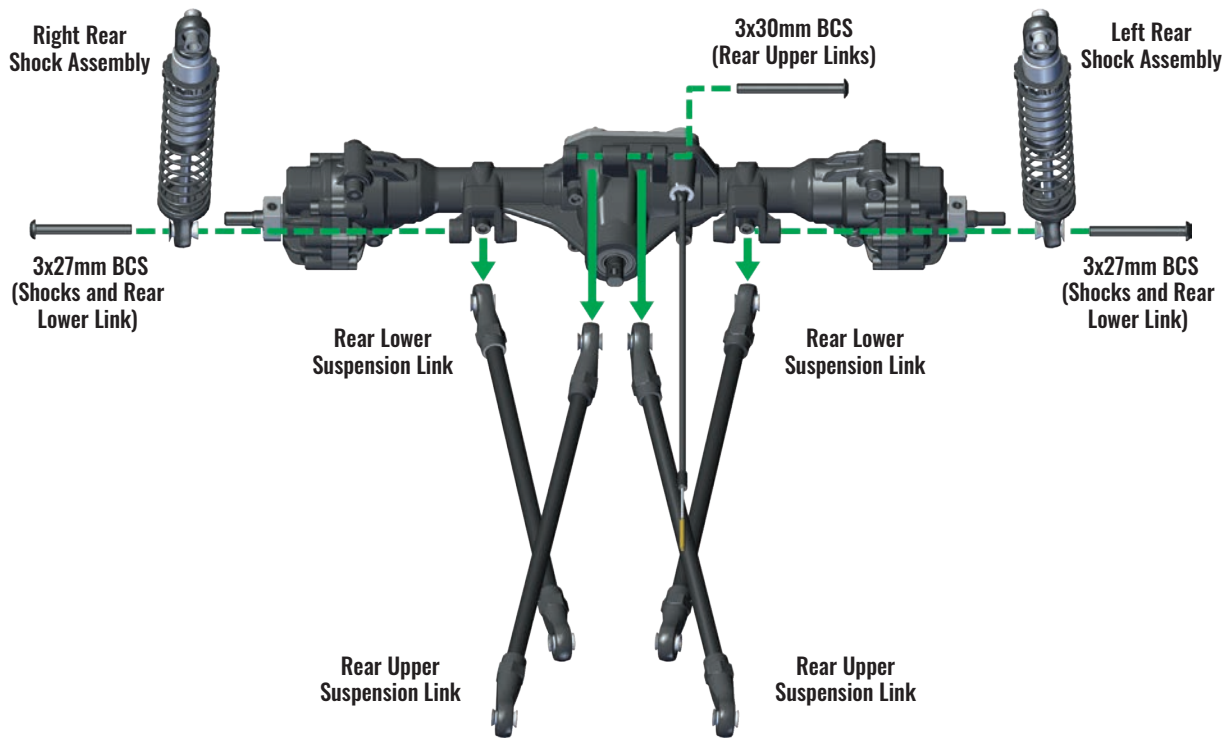
3 *Unscrew and remove the ball cups from the T-Lock cables. Retain the ball cups.*



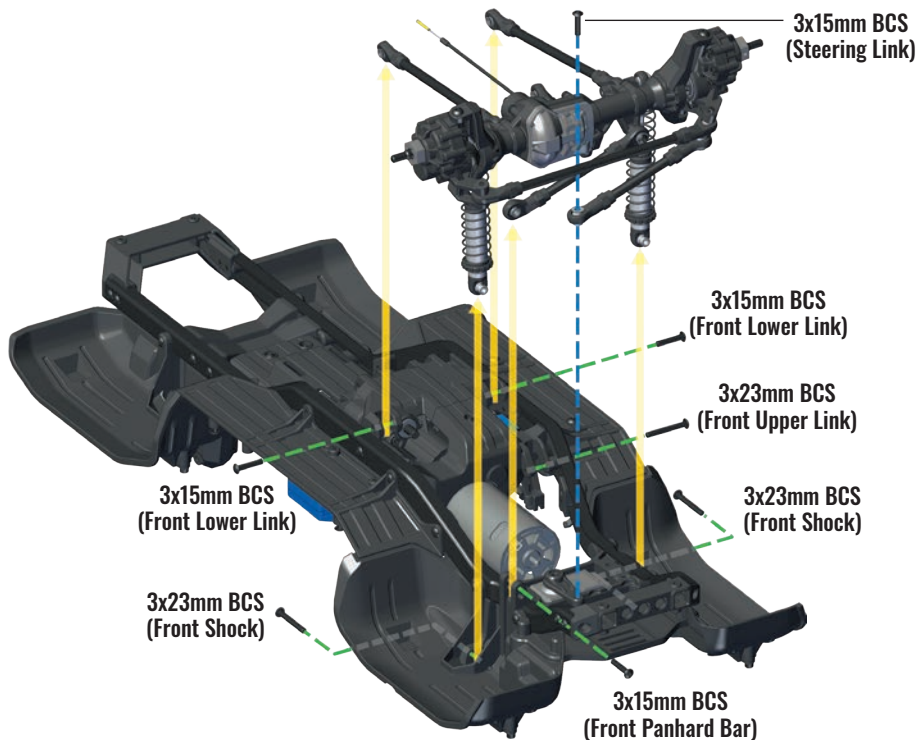
D. Remove the rear axle assembly from the chassis



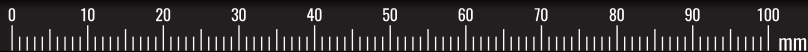
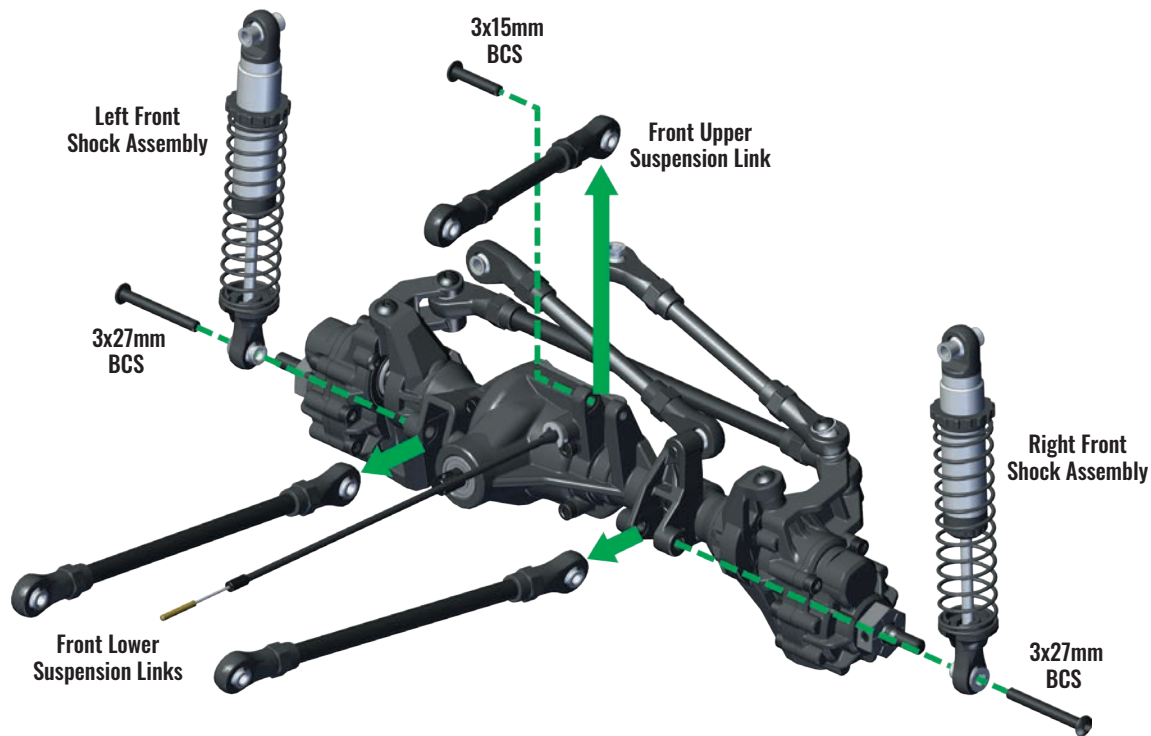
E. Remove the shocks and rear suspension links from the axle assembly



F. Remove the front axle assembly from the chassis

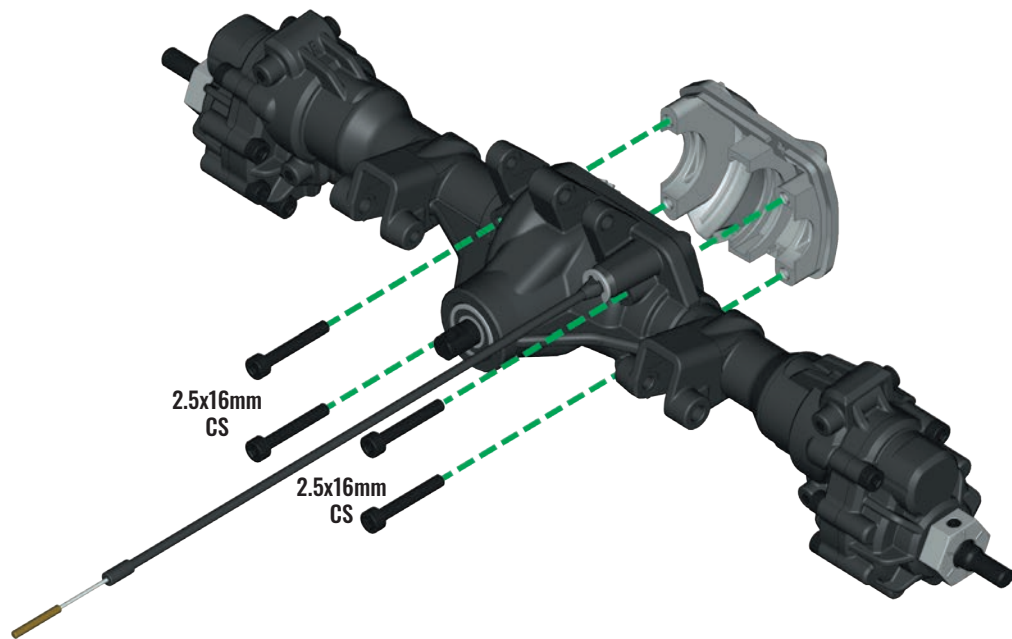


G. Remove the shocks and front suspension links from the axle assembly

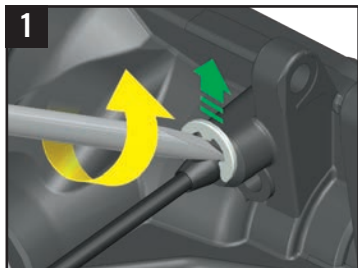


H. Remove the differential cover from the front and rear axle assemblies

Rear Axle Assembly shown. Repeat for Front Axle Assembly.



I. Remove the locking fork from the locking slider

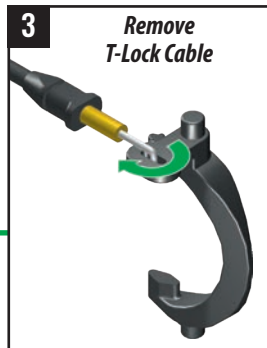
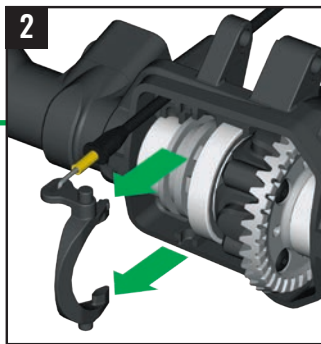
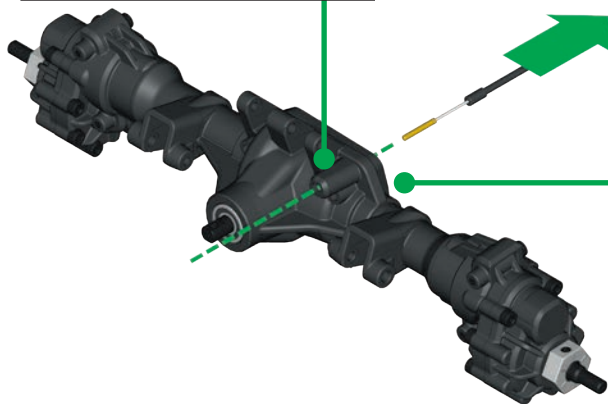


Use a small flat blade screwdriver to remove E-clip from axle housing.

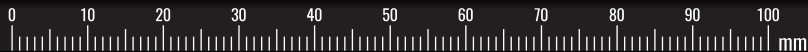
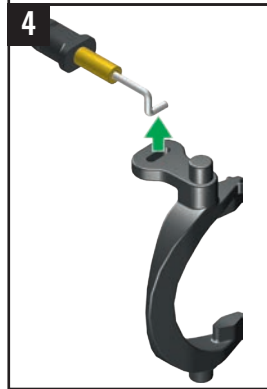
Rear Axle Assembly shown. Repeat for Front Axle Assembly.

WARNING

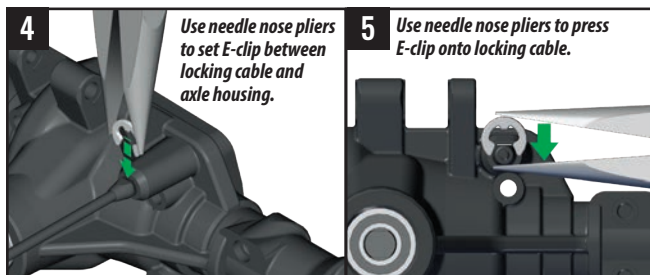
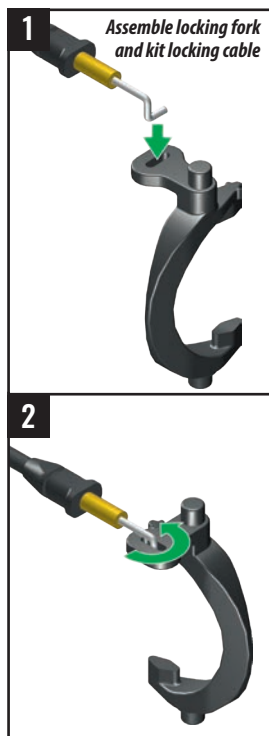
Safety glasses are recommended to prevent eye injury.



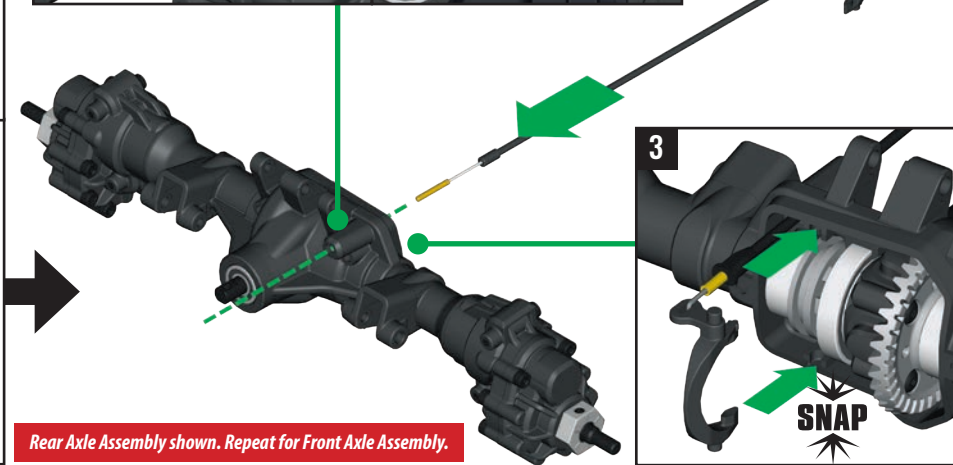
Remove T-Lock Cable



J. Install the new T-Lock cable in the axle assemblies



Install the longer 207.9mm cable in the Rear Axle Assembly and the shorter 168.9mm cable in the Front Axle Assembly.

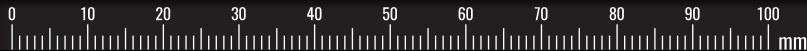
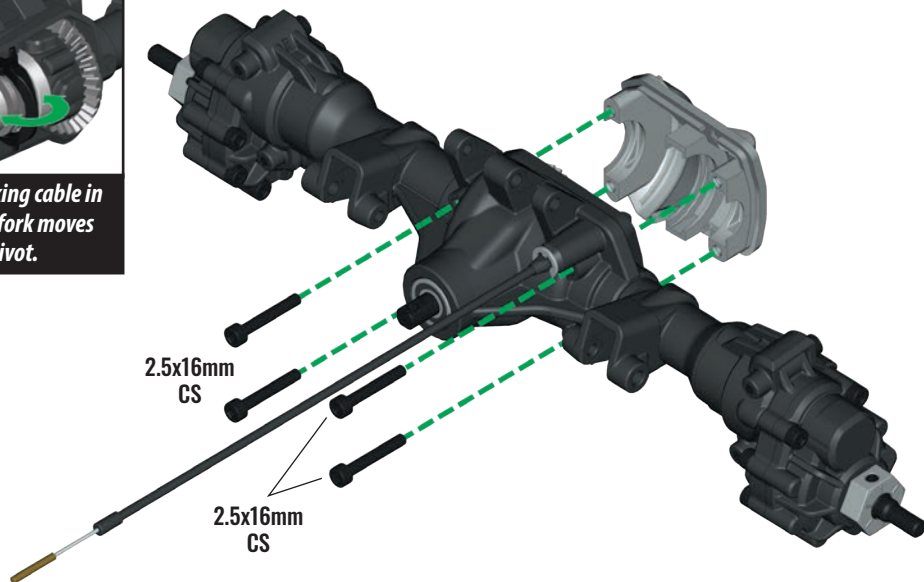


K. Install the differential cover on the axle assemblies

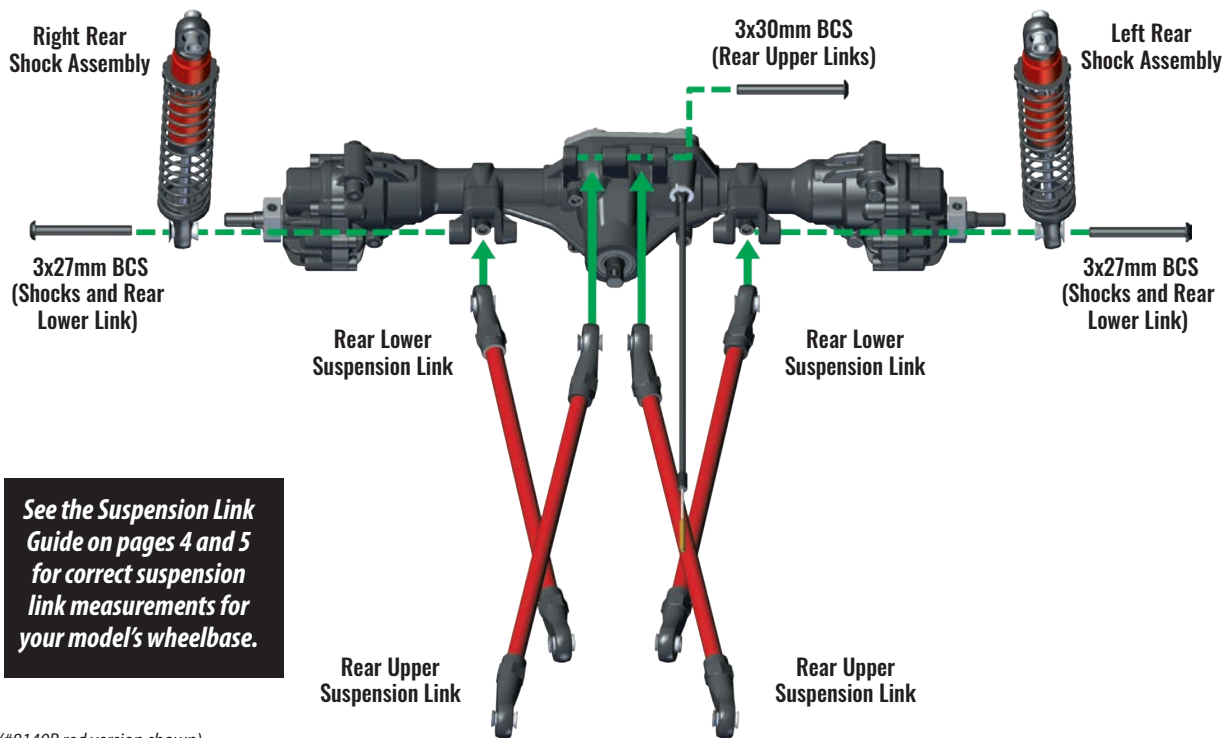


Note: Move the end of the locking cable in and out to verify the locking fork moves back and forth on its pivot.

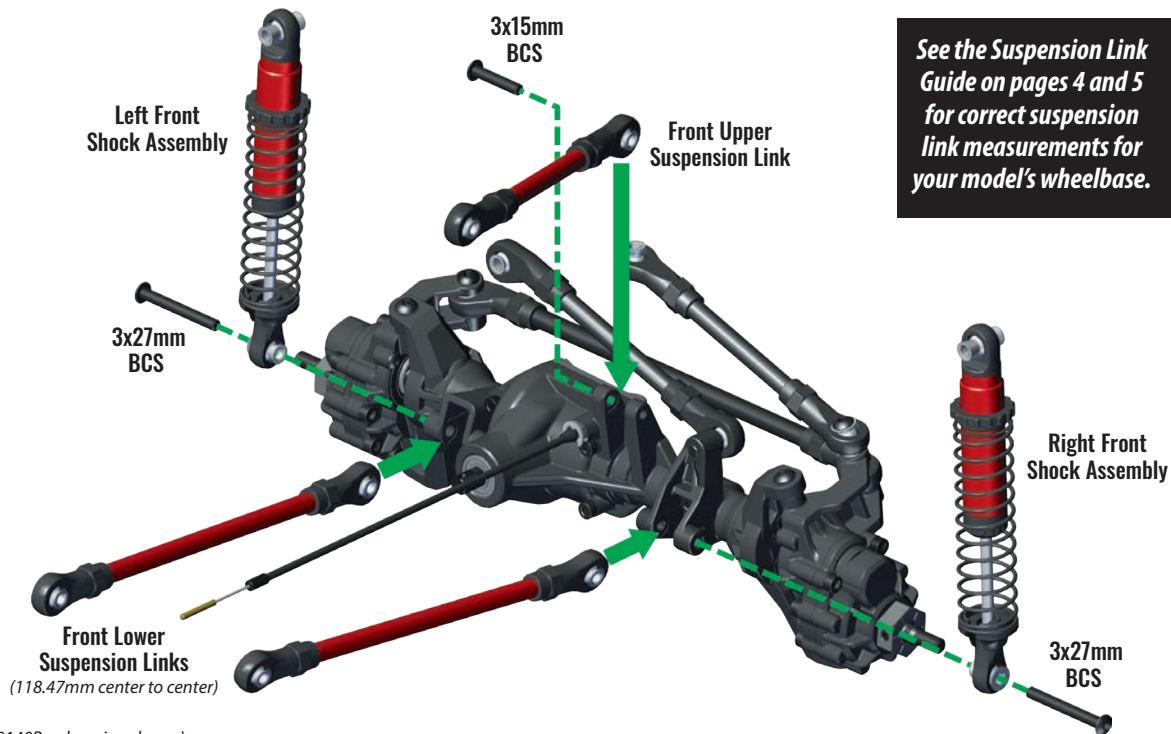
Rear Axle Assembly shown. Repeat for Front Axle Assembly.



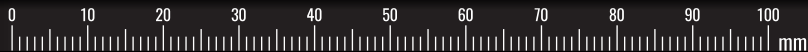
L. Install the new lift kit suspension links and GTS shocks on the rear axle assembly



M. Install the new lift kit suspension links and GTS shocks on the front axle assembly

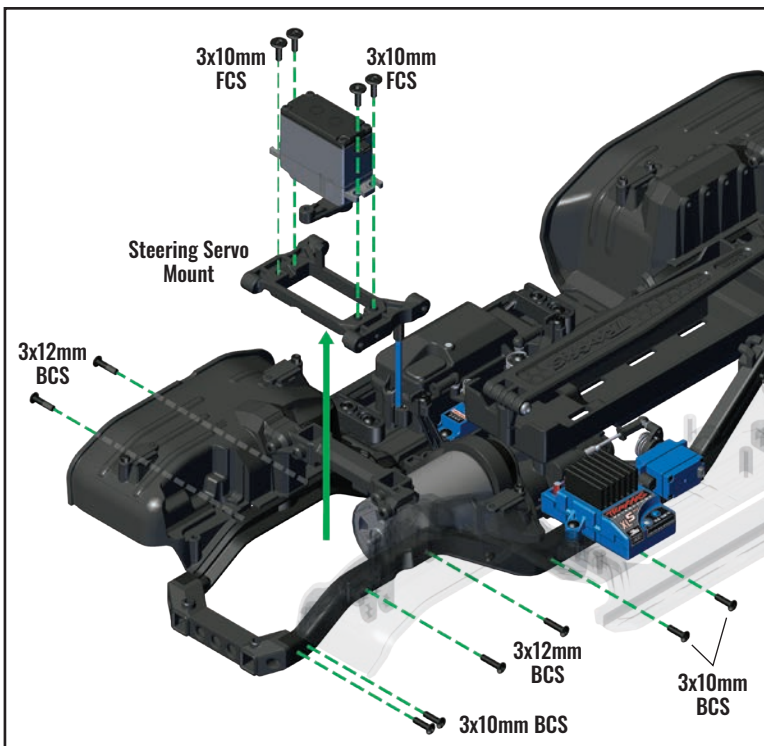
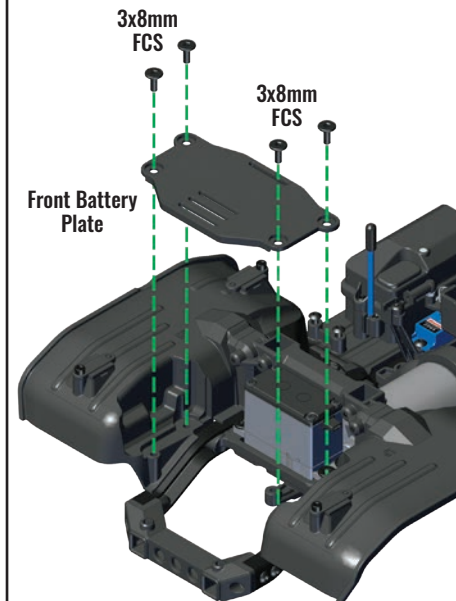


(#8140R red version shown)

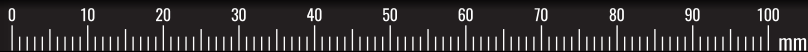
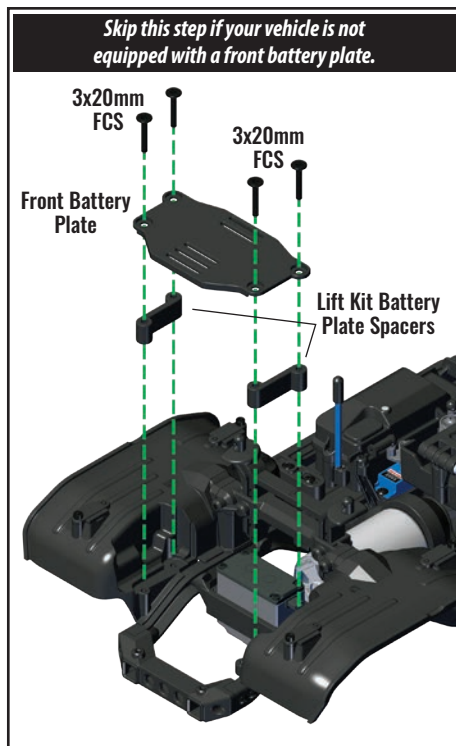
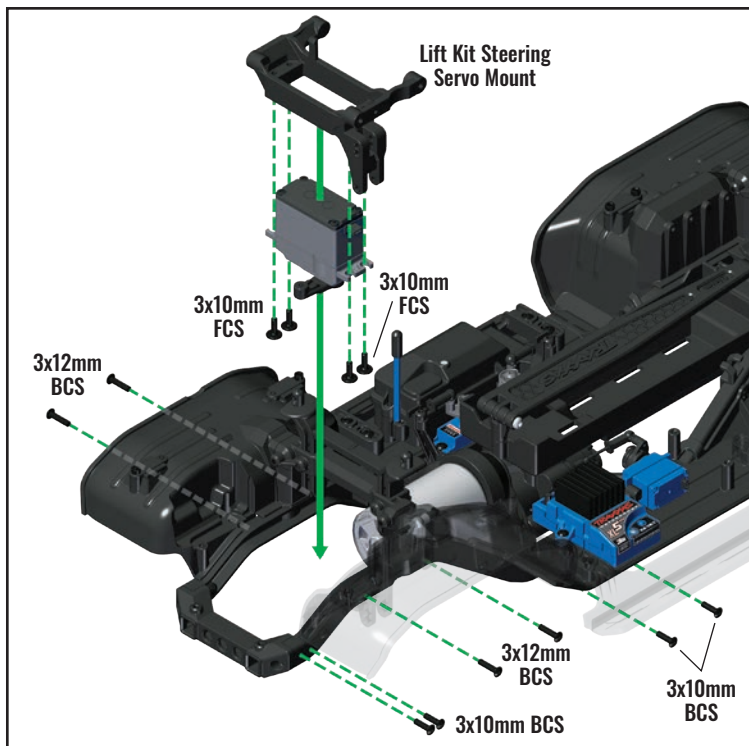


N. Remove the battery plate and existing steering servo mount.

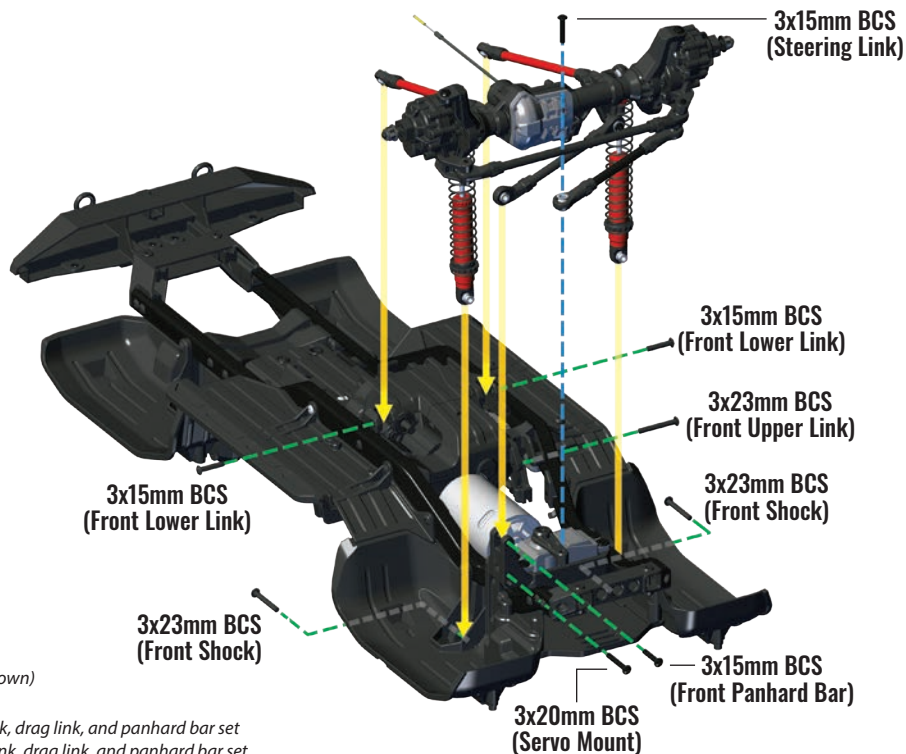
Skip this step if your vehicle is not equipped with a front battery plate.



O. Install new lift kit steering servo mount and battery plate spacers



P. Reattach front axle assembly to chassis



(#8140R red version shown)

Also available:

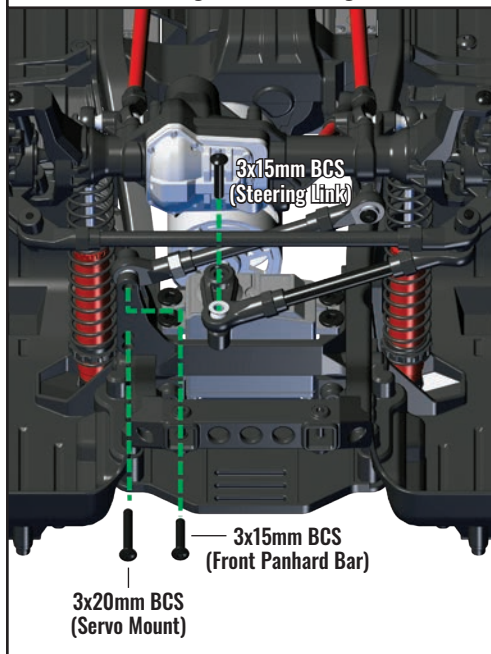
#8146R red steering link, drag link, and panhard bar set

#8146X blue steering link, drag link, and panhard bar set

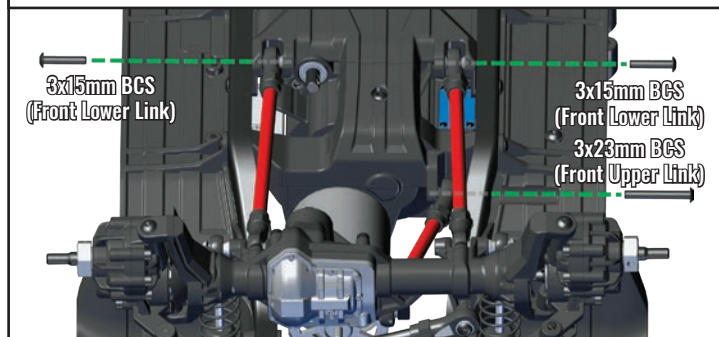


P. Reattach front axle assembly to chassis

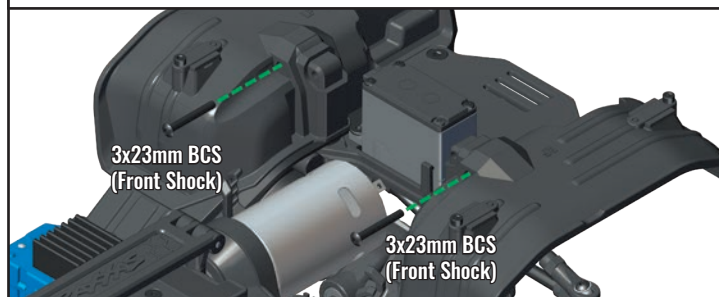
Install front panhard bar to chassis and steering link to steering servo



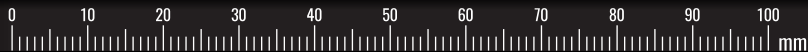
Install upper and lower suspension links to chassis



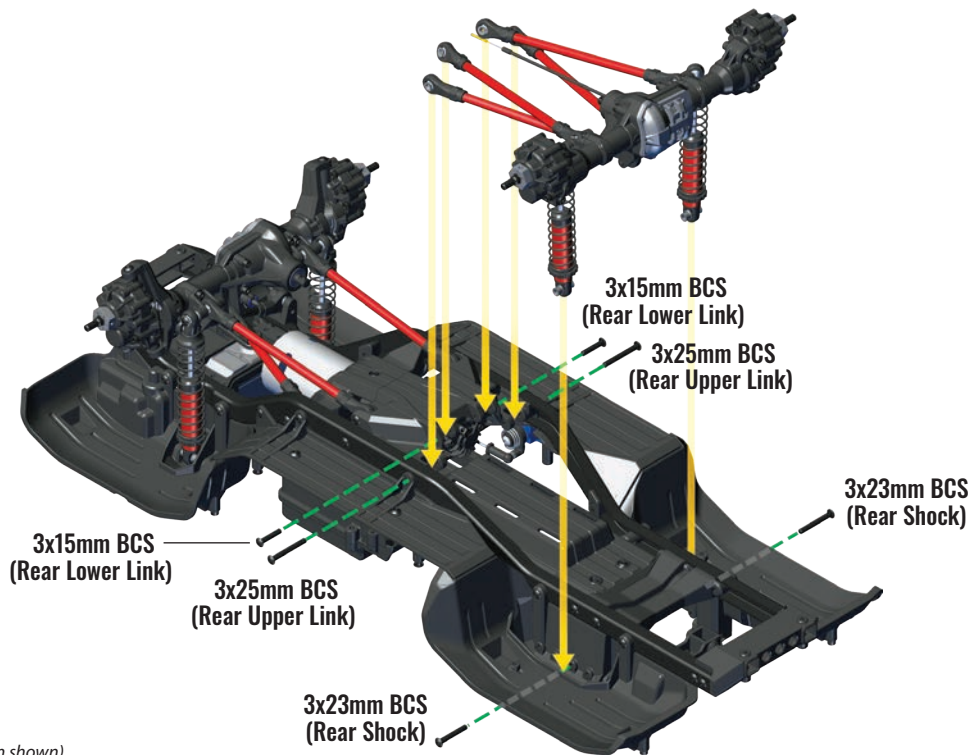
Install front shocks to fenders from top of chassis



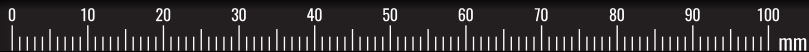
(#8140R red version shown)



Q. Reattach rear axle assembly to chassis

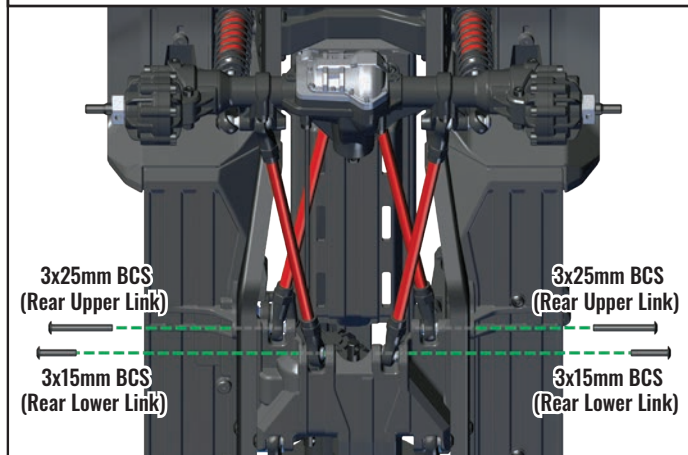


(#8140R red version shown)

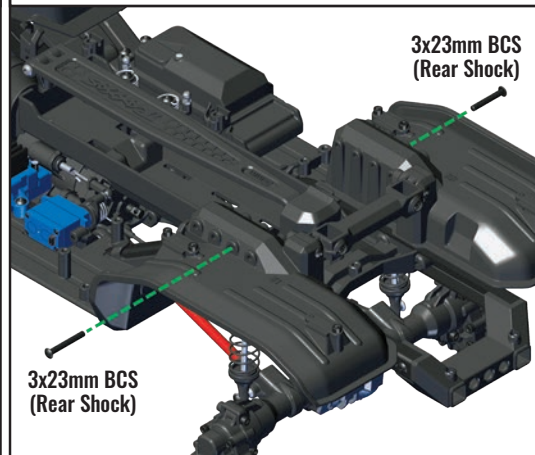


Q. Reattach rear axle assembly to chassis

Install upper and lower suspension links to chassis

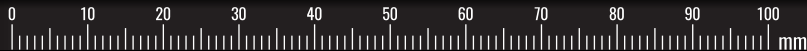


Install rear shocks to fenders from top of chassis*

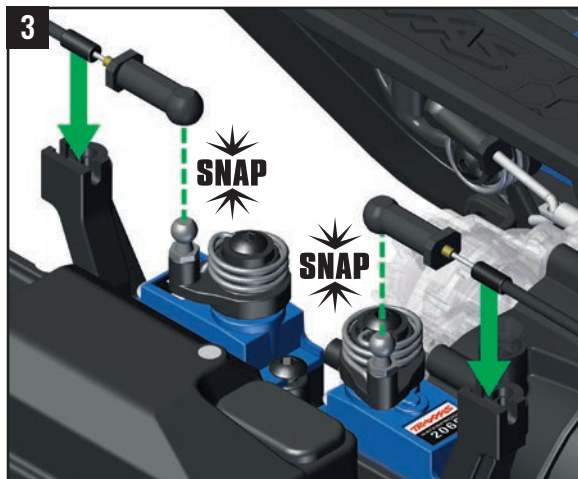
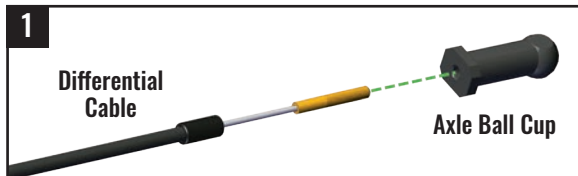


(#8140R red version shown)

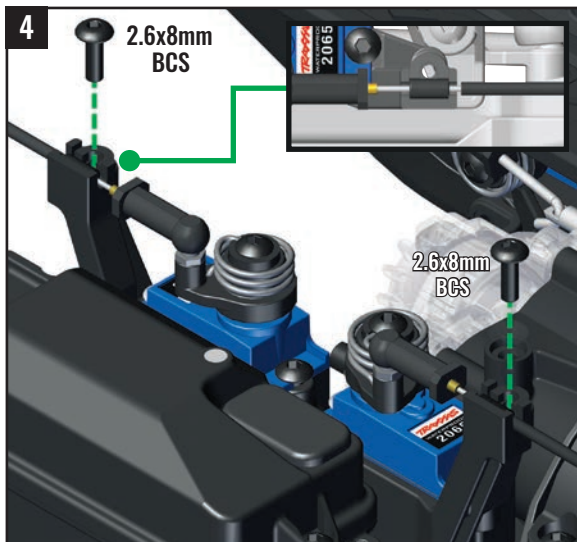
*Short (312mm) wheelbase shown; shock mounting position will vary depending on wheelbase configuration.



R. Reconnect T-Lock cables to shift servos



*It is okay to slightly rock horn to align ball cup.
Do not turn servo shaft by hand or you could damage the servo.*



S. Remove stock half shafts and assemble new driveshafts

FRONT DRIVESHAFT

Replace the stock half shafts with the supplied half shafts.



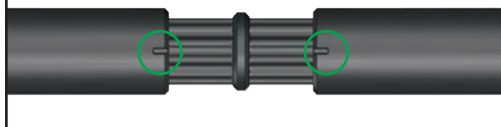
REAR DRIVESHAFT - SHORT WHEELBASE 312mm



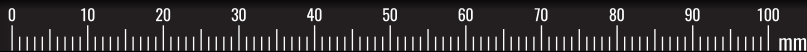
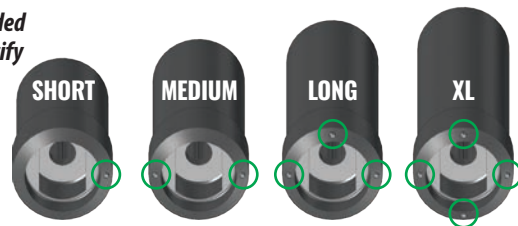
REAR DRIVESHAFT - LONG WHEELBASE 324mm



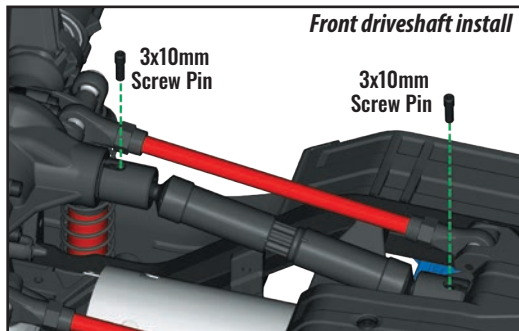
Note: Orient and assemble the center drive shafts as shown to correctly phase the output drives.



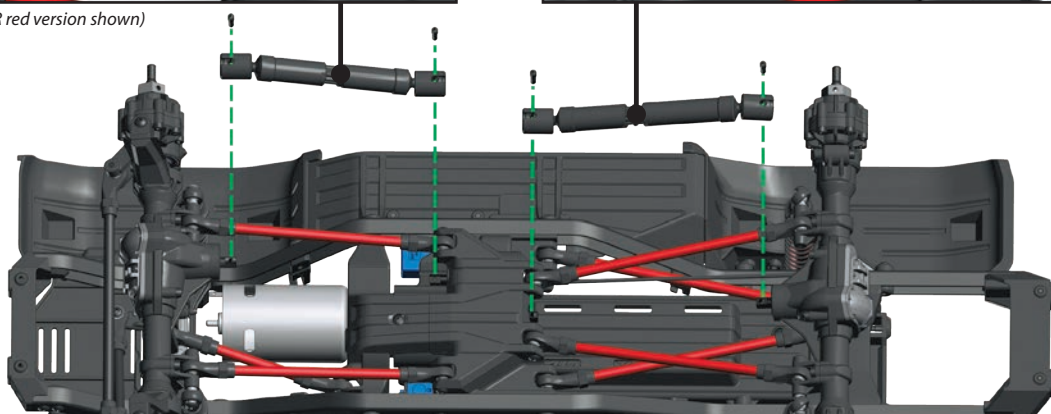
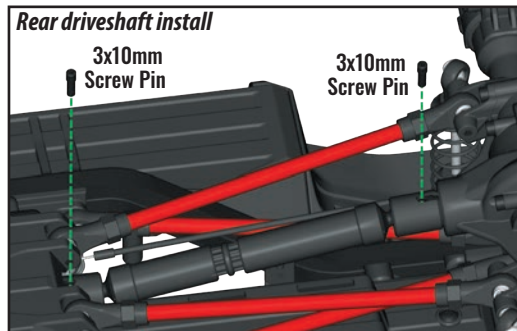
Note: Use the molded indicators to identify the length of the half shaft.



T. Install new front and rear center driveshaft assemblies

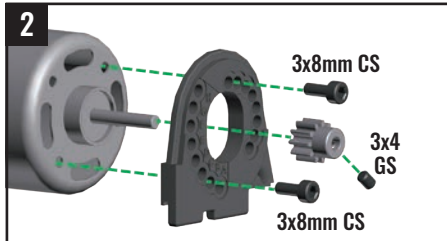
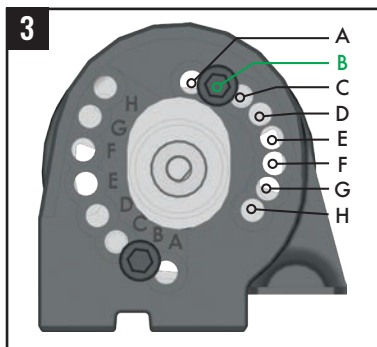
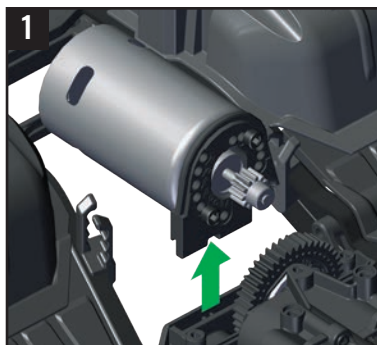
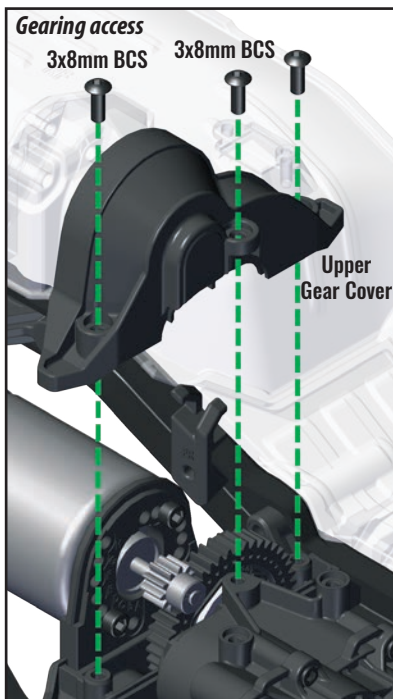


(#8140R red version shown)

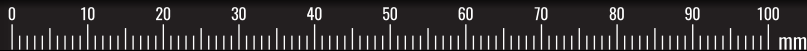
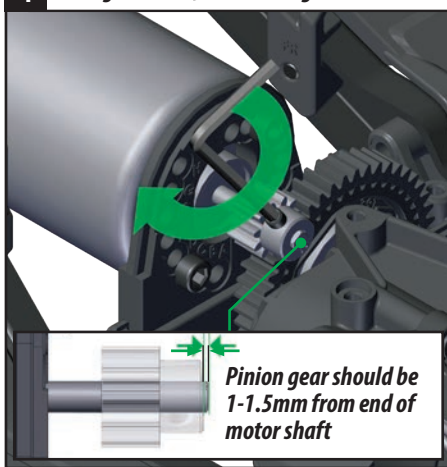


U. Remove 11-T pinion gear and install new 10-T pinion gear on motor shaft

10-T pinion gear maintains original performance with larger 2.2" tires



4 Mesh gear teeth, and then tighten set screw



The background of the entire image is a technical drawing of a vehicle chassis, rendered in a light blue color on a dark blue background. The drawing shows various mechanical components like suspension parts, axles, and steering knuckles. The overall style is that of a blueprint or technical manual page.

TRX4[®]

PART #8140, 8140R, 8140X

TRAXXAS

6250 TRAXXAS WAY, MCKINNEY, TEXAS 75070

1-888-TRAXXAS